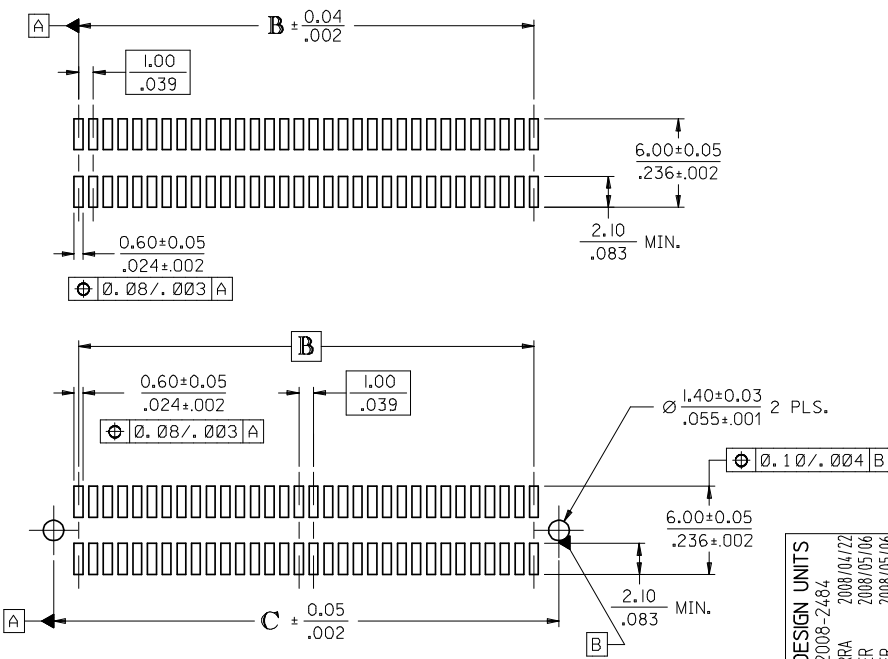


CIRCUIT SIZE	DIM. A	DIM. B	DIM. C	DIM. D
20	13.90 / .547	9.00 / .354	12.40 / .488	12.22 / .481
30	18.90 / .744	14.00 / .551	17.40 / .685	17.22 / .678
40	23.90 / .941	19.00 / .748	22.40 / .882	22.22 / .875
50	28.90 / 1.138	24.00 / .945	27.40 / 1.079	27.22 / 1.072
60	33.90 / 1.335	29.00 / 1.142	32.40 / 1.276	32.22 / 1.269
64	35.90 / 1.413	31.00 / 1.220	34.40 / 1.354	34.22 / 1.347
70	38.90 / 1.531	34.00 / 1.339	37.40 / 1.472	37.22 / 1.465
80	43.90 / 1.728	39.00 / 1.535	42.40 / 1.669	42.22 / 1.662
84	45.90 / 1.807	41.00 / 1.614	44.40 / 1.748	44.22 / 1.741
90	48.90 / 1.925	44.00 / 1.732	47.40 / 1.866	47.22 / 1.859
100	53.90 / 2.122	49.00 / 1.929	52.40 / 2.063	52.22 / 2.056
110	58.90 / 2.319	54.00 / 2.126	57.40 / 2.260	57.22 / 2.253
120	63.90 / 2.516	59.00 / 2.323	62.40 / 2.457	62.22 / 2.450

NOTES:

- HOUSING MATERIAL: GLASS FILLED THERMOPLASTIC; UL 94V-0; SEE SHEET 2 FOR COLOR. TERMINAL MATERIAL: PHOSPHOR BRONZE; 0.205/.0080 THICK VACUUM CAP MATERIAL: STAINLESS STEEL; 0.255/.0100 THICK
- CONTACT PLATING FINISH: REFER TO CHART ON SHEET 2
- THIS PART, WHEN MATED WITH MOLEX 1.0mm PLUG CONNECTOR SERIES 71439, CONFORMS TO MOLEX PRODUCT SPECIFICATION PS-71436-9999. REFER TO CHART ON SHEET 2 FOR MATED STACK HEIGHTS FOR THIS RECEPTACLE.
- PACKAGING SPECIFICATIONS: REFER TO CHART ON SHEET 2.
- PEGS ARE OPTIONAL. REFER TO CHART ON SHEET 2.
- VACUUM PICK & PLACE CAP IS OPTIONAL. REFER TO CHART ON SHEET 2.
- THIS PART CONFORMS TO EIA STANDARD 700 AAAB FOR 1.0mm TWO-PART CONNECTORS FOR USE WITH PARALLEL PRINTED BOARDS.
- COPLANARITY OF SMT TAILS: 0.10 MM/.004 INCH MAXIMUM
- 64-CIRCUIT RECEPTACLE ASSEMBLY WITH PEGS AND VACUUM CAP SHOWN FOR ILLUSTRATION PURPOSES ONLY.
- INCH DIMENSIONS SHOWN FOR REFERENCE ONLY.
- ASSEMBLY TO HAVE DATE CODE: XX XX WEEK YEAR



RECOMMENDED PCB LAYOUT (WITH AND WITHOUT PEGS)
 RECOMMENDED PCB THICKNESS: 1.00±0.10/.039±.004

2	M
1	M
SHT	REV

CORRECT DESIGN UNITS EC NO: UCP2008-2484 DRAWN: SIBARRA 2008/04/22 CHKD: BARKER 2008/05/06 APPR: SMILLER 2008/05/06	QUALITY SYMBOLS ▽=0 ▽=0	GENERAL TOLERANCES (UNLESS SPECIFIED)	DIMENSION STYLE MM/IN	SCALE 4:1	DESIGN UNITS METRIC	THIRD ANGLE PROJECTION
		4 PLACES ± --- ± --- 3 PLACES ± --- ± .005 2 PLACES ± 0.13 ± .01 1 PLACE ± 0.25 ± --- ANGULAR ± 1/2°	DRAWN BY REED CHECKED BY REED APPROVED BY BIXLER	DATE 1995/03/23 DATE 1995/03/23 DATE 1995/03/23	TITLE SALES ASSY, 1.0MM BOARD TO BOARD RECEPTACLE CONNECTOR 5.30/2.09 HIGH	MATERIAL NO. SEE TABLE DOCUMENT NO. SDA-71439-0*** SHEET NO. 1 OF 2
DRAFT WHERE APPLICABLE MUST REMAIN WITHIN DIMENSIONS		THIS DRAWING CONTAINS INFORMATION THAT IS PROPRIETARY TO MOLEX INCORPORATED AND SHOULD NOT BE USED WITHOUT WRITTEN PERMISSION				